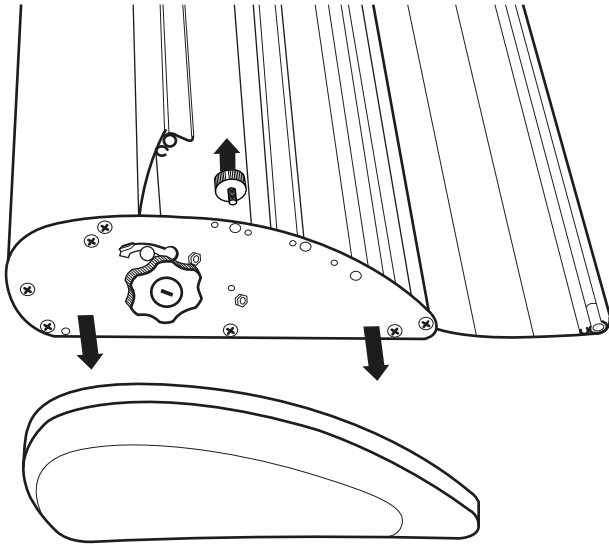
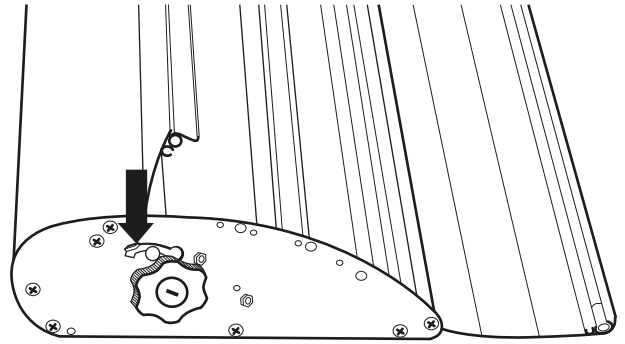


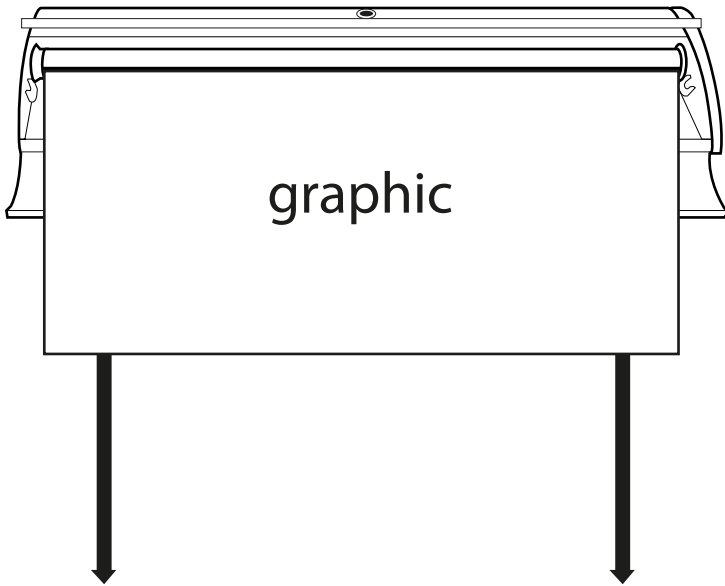
1.



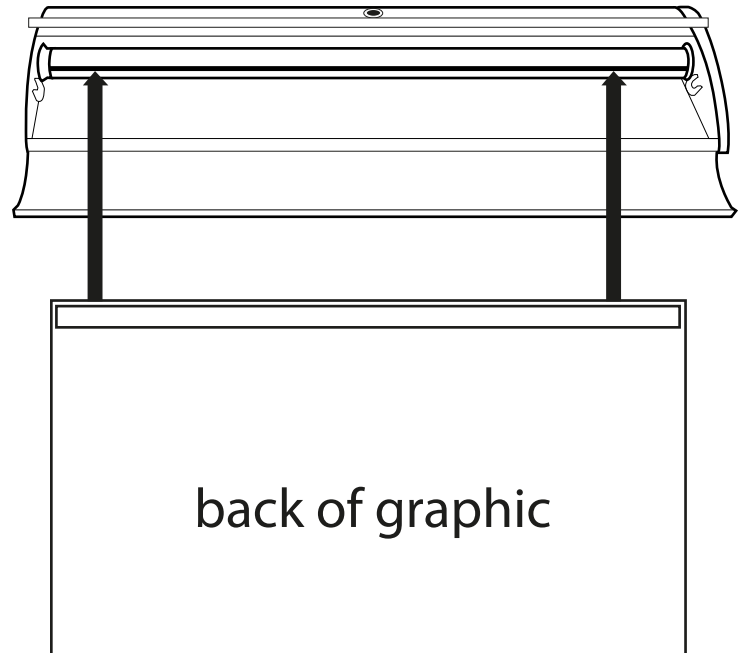
2. Push to release tension



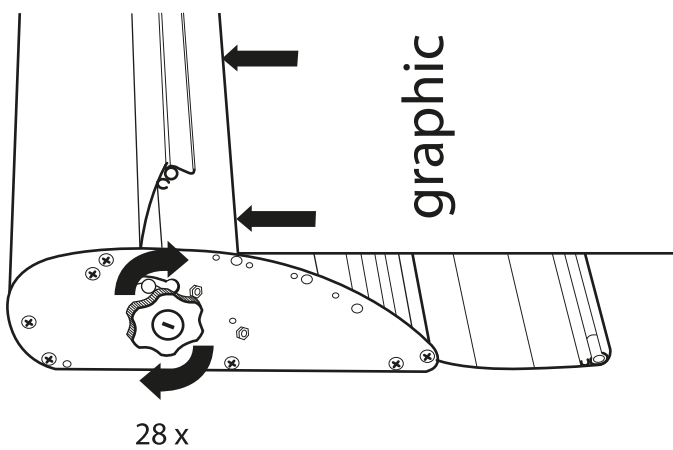
3. Remove old graphic



4. Place new graphic



5.



6.

